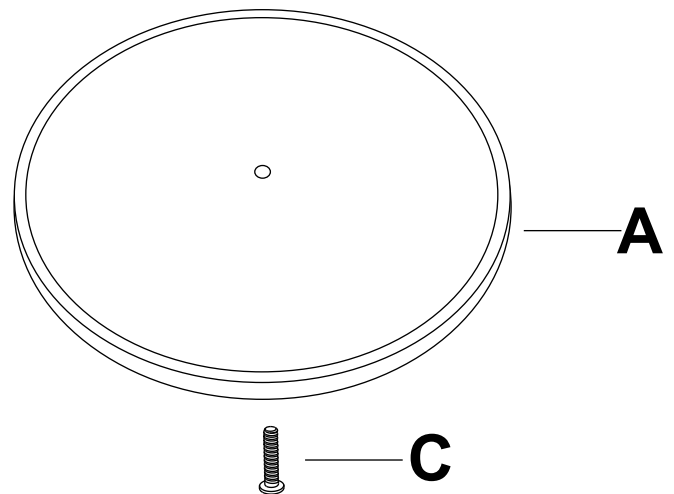
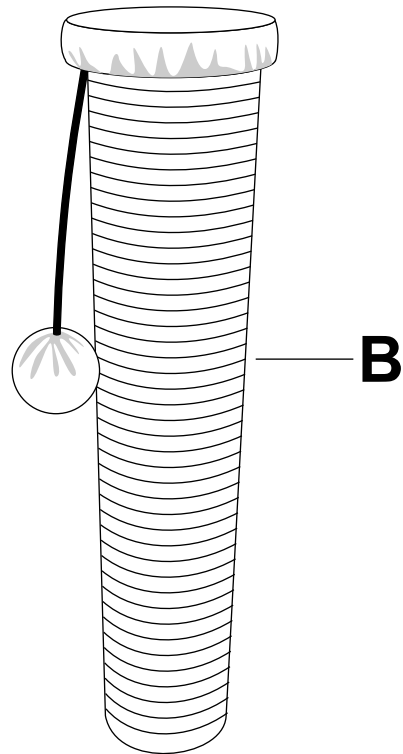
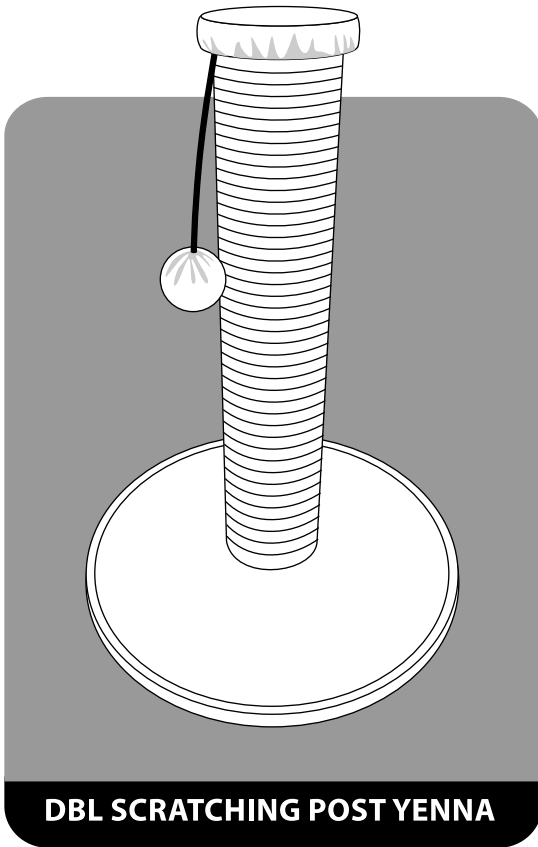
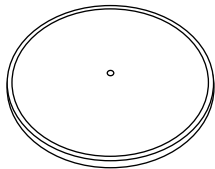
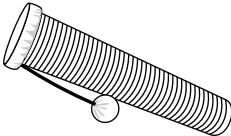
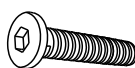


INSTRUCTIONS



A		x1
B		x1
C		x1