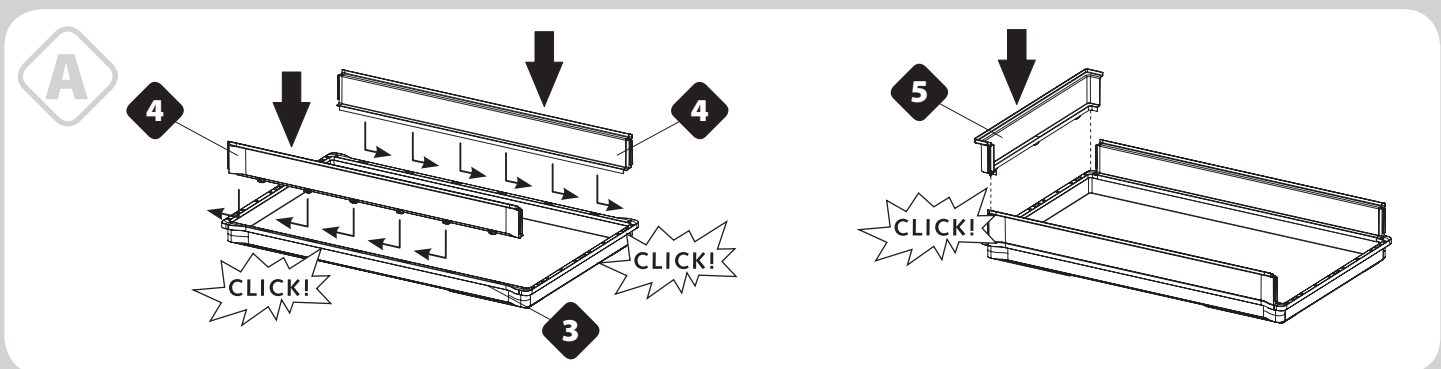
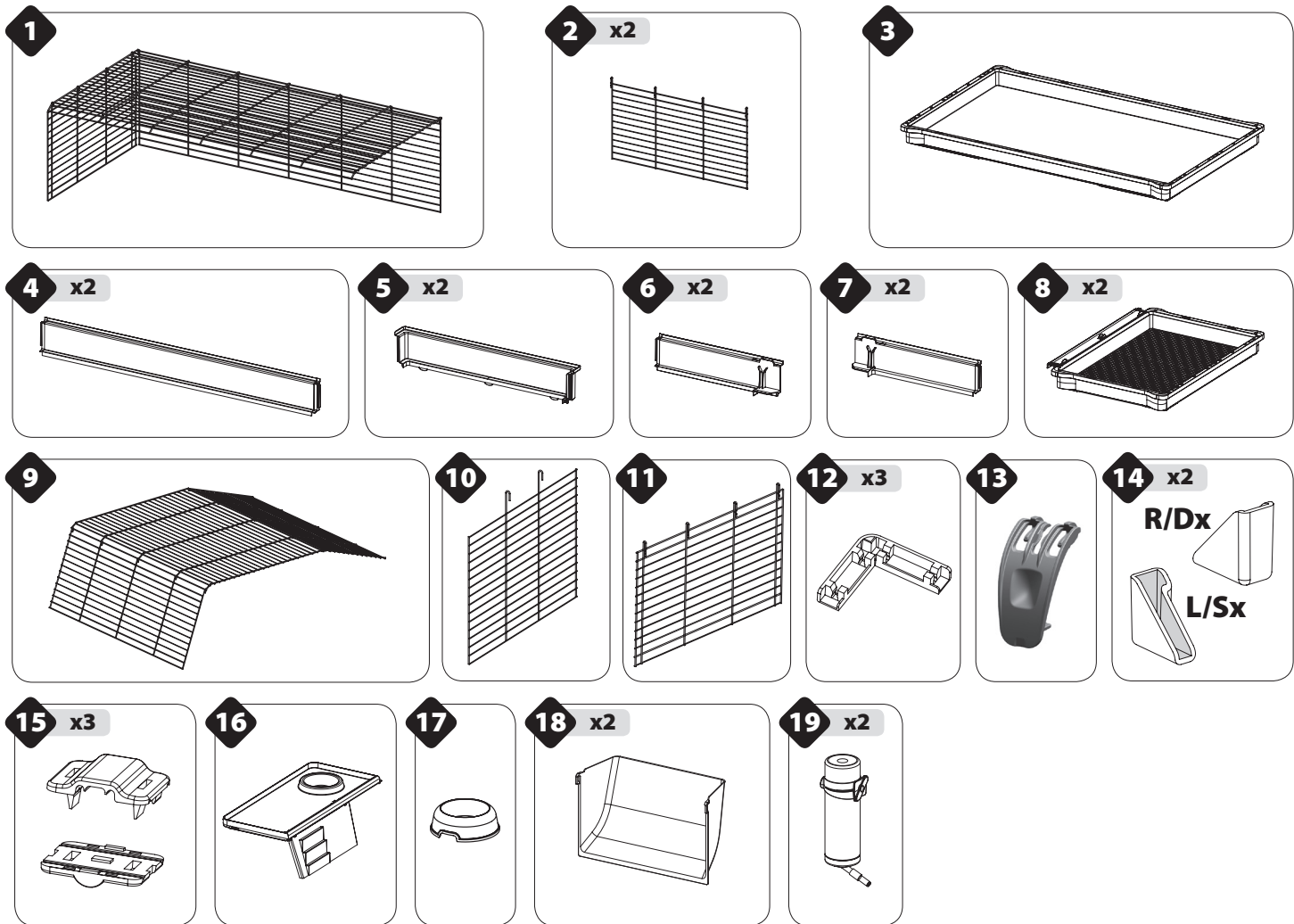
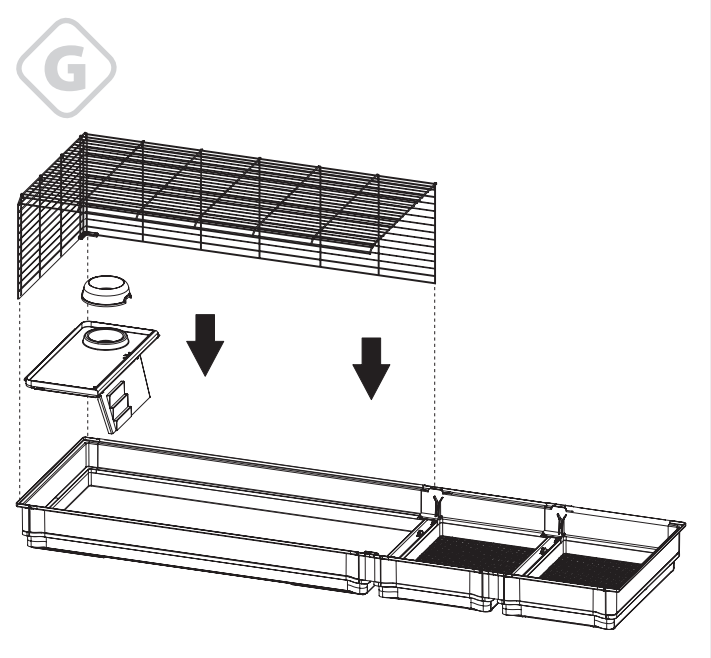
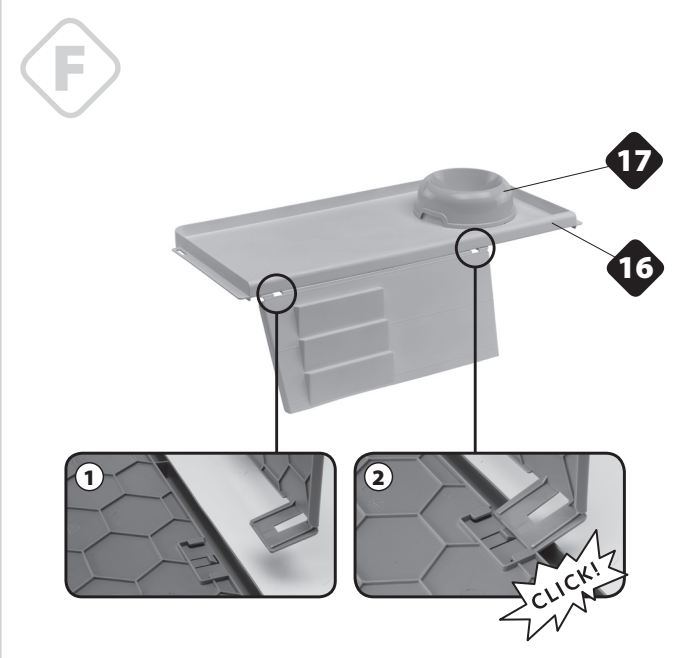
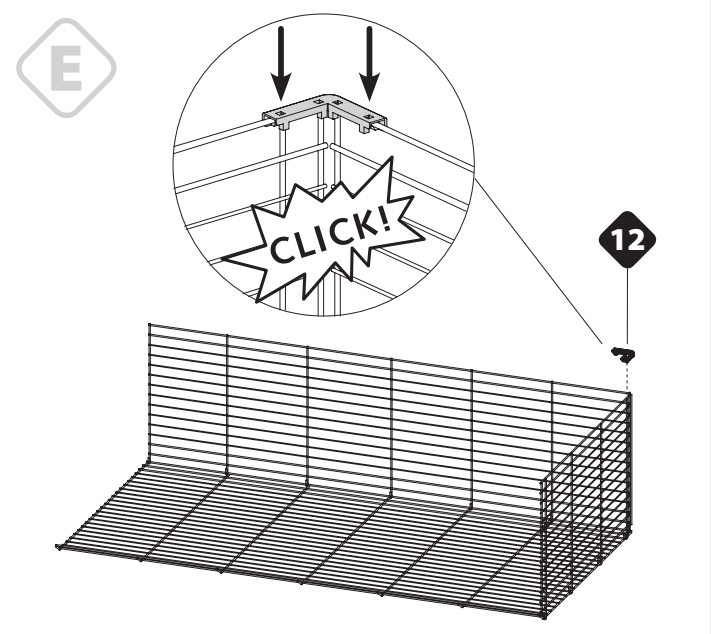
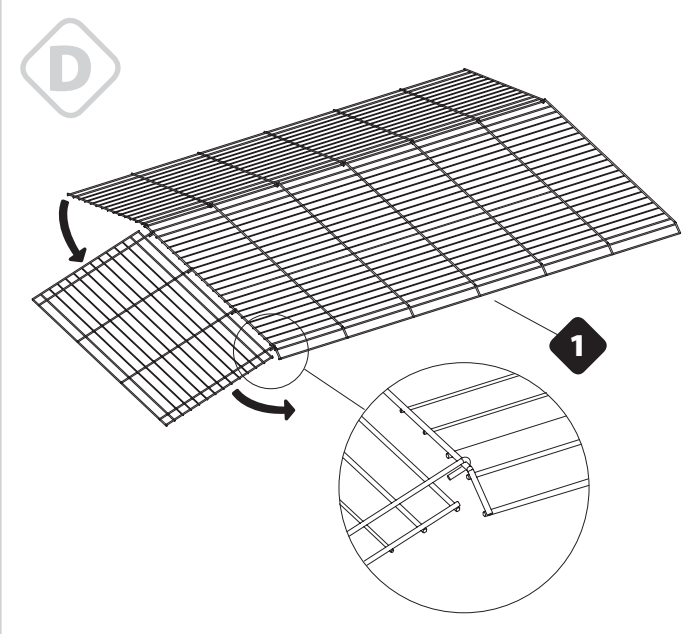
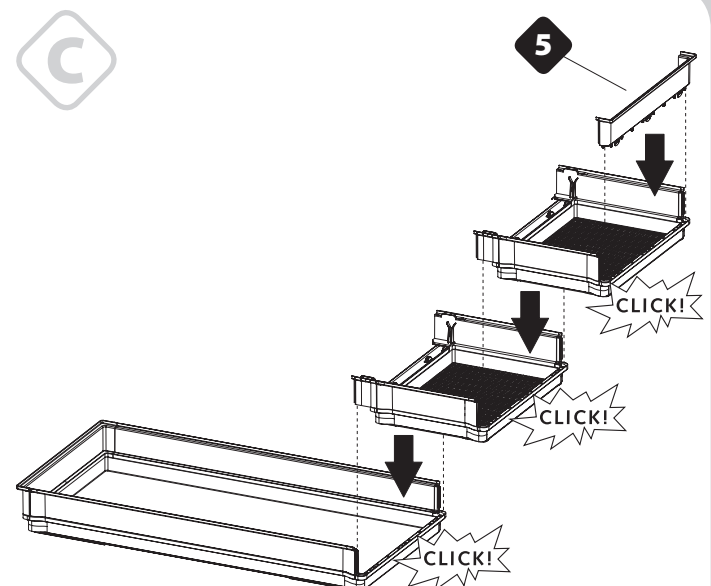
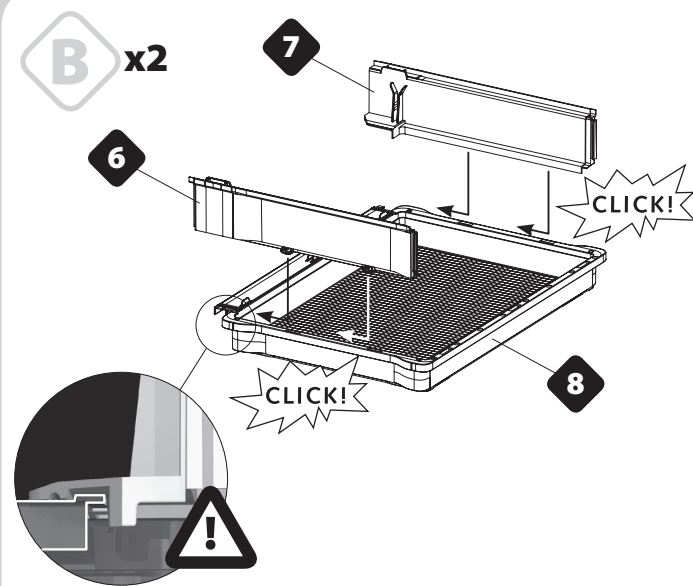
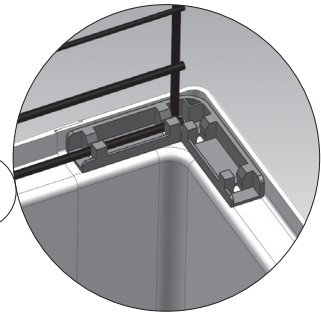
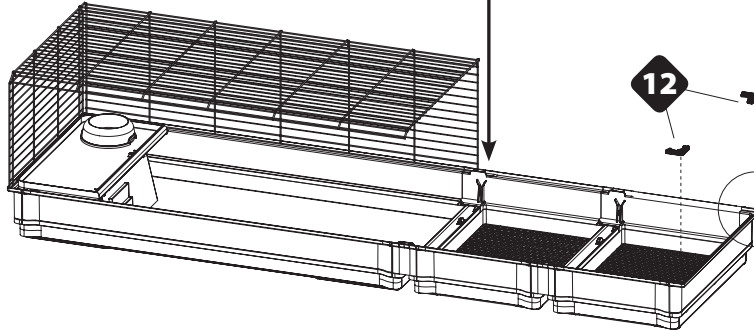
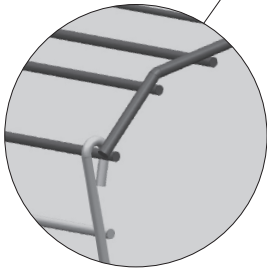
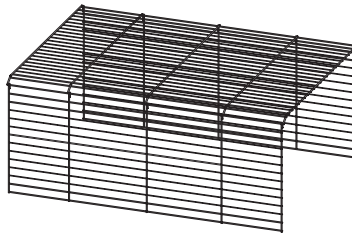
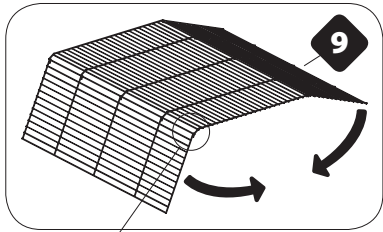


Cod. 570728
2050 x 600 x 500 mm



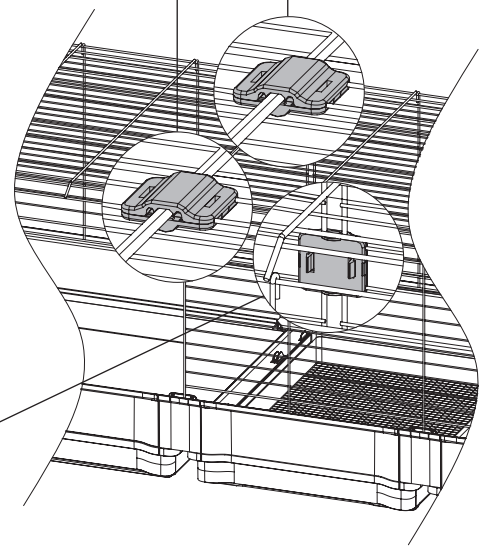
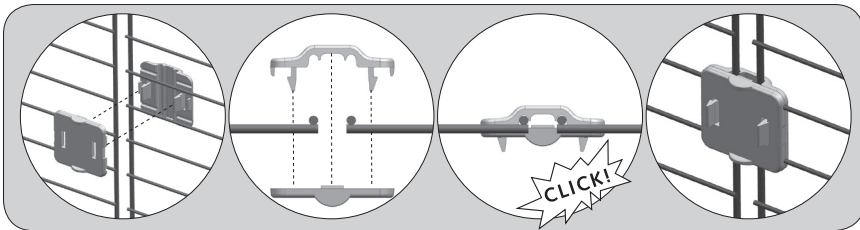
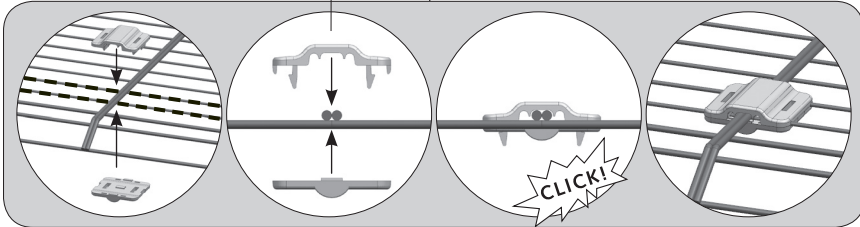


H

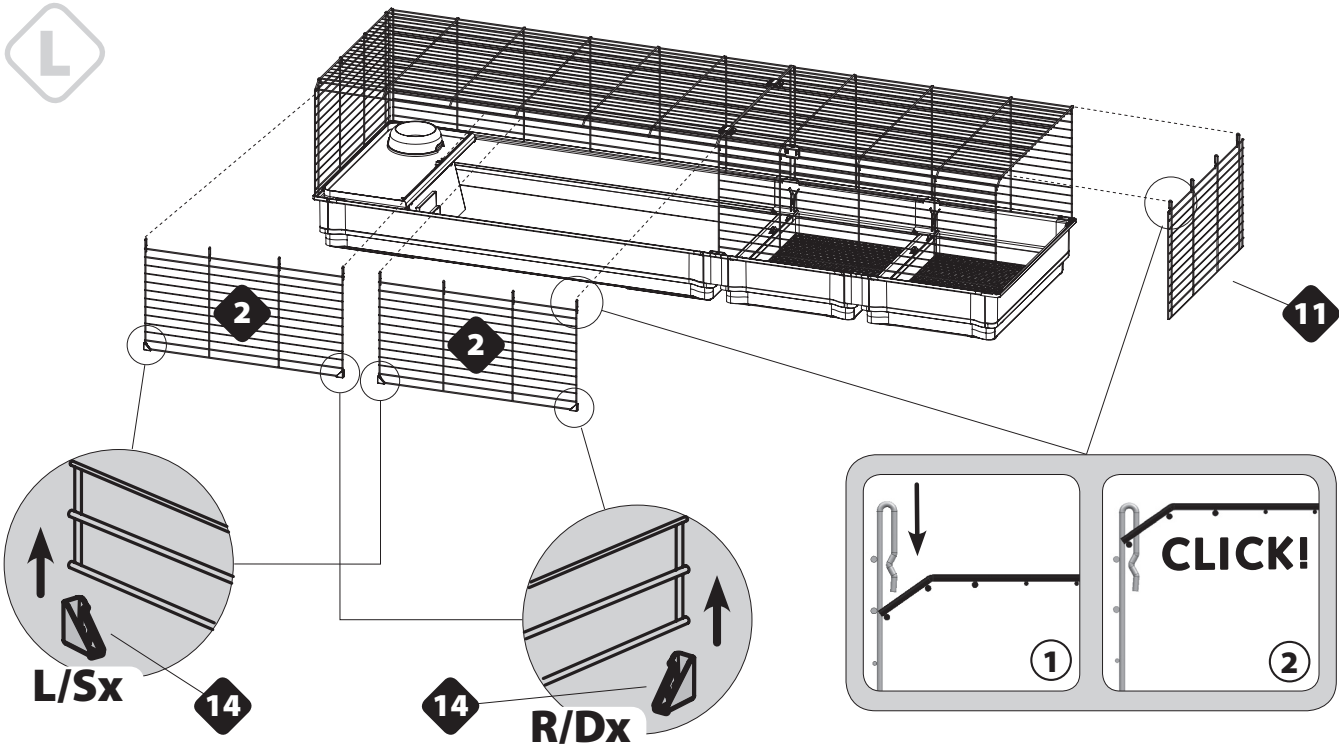


I

15



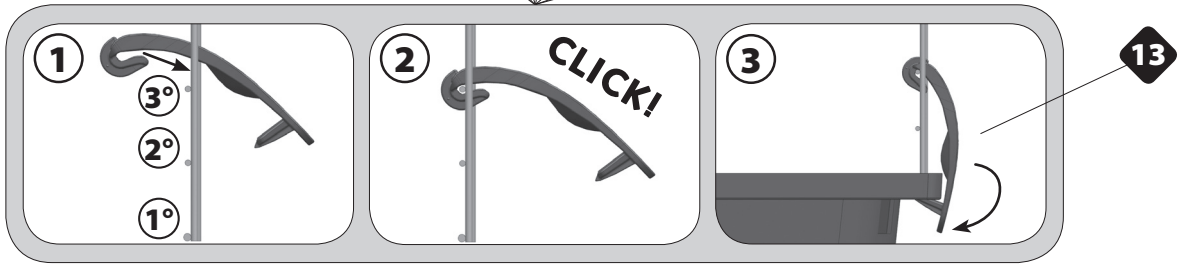
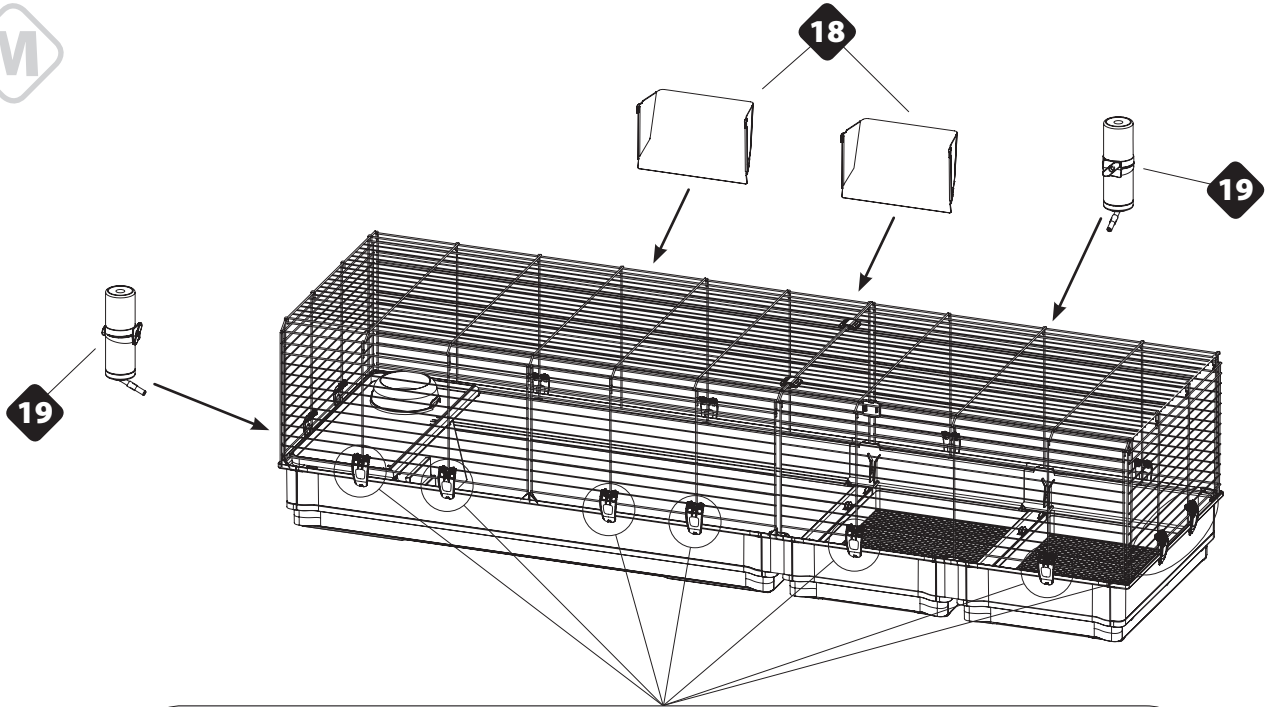
L



L/Sx

R/Dx

M



N

